

5

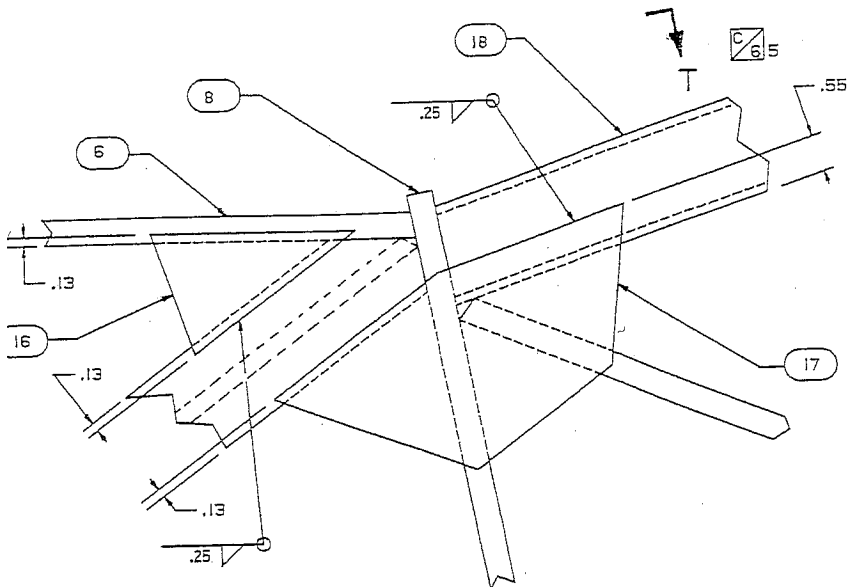
4

3

FIG. NO. 1 DPM NO.
537111

ZONE REV.

ICEE



DETAIL R $\square \frac{D}{6} 12$

2 PL

PT
PT

