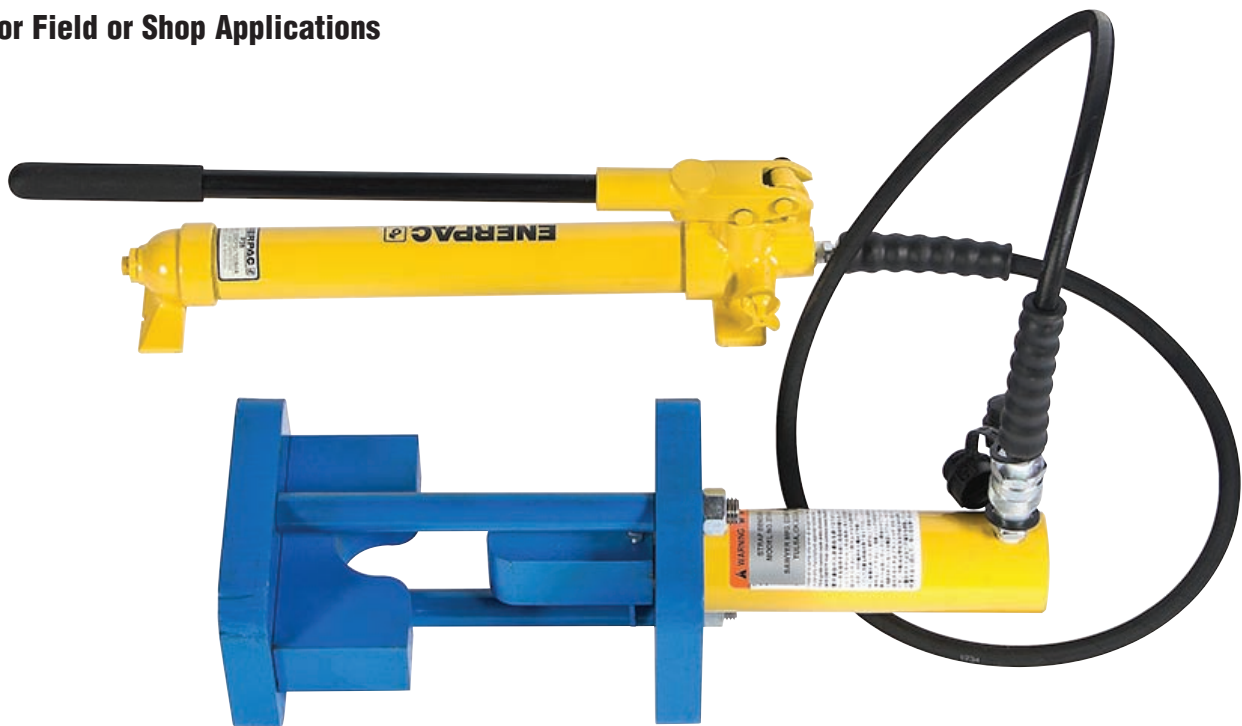


HYDRAULIC GUIDED BEND AND TENSILE TESTING MACHINES

Model 273-15, 15-Ton Strap Bender FOR FIELD AND SHOP APPLICATIONS

- For Weld Coupon Testing
- Horizontal or Vertical Use
- Optional Choice of Materials to Meet Code
- Includes (1) Steel Carrying Case
- Optional Accessories: Electric Pump
- For Field or Shop Applications



SAWYER MFG COMPANY

1031 N. Columbia Place • Tulsa, Oklahoma 74110 U.S.A.

Phone: (918) 834-2550 • Fax: (918) 834-0318

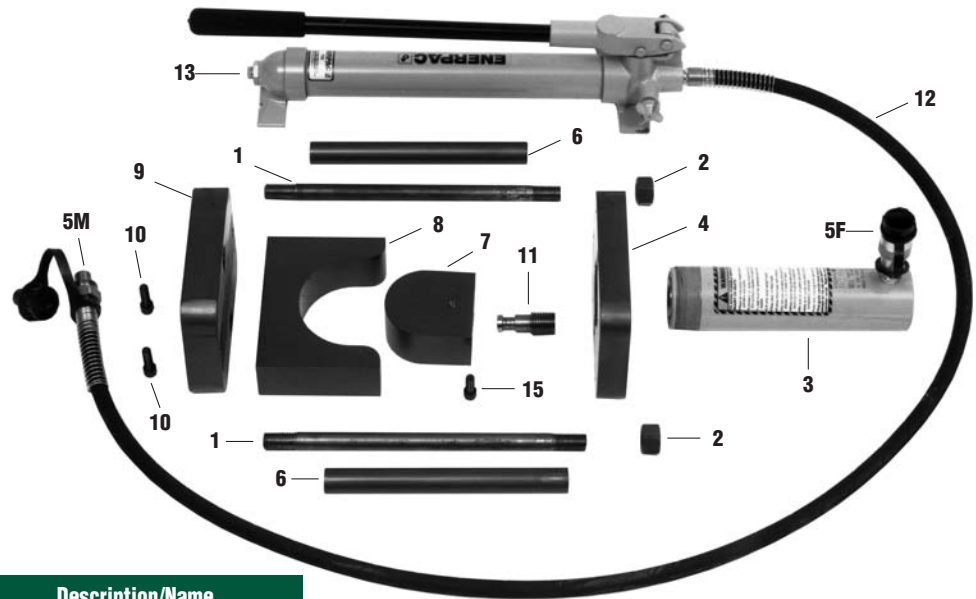
E-Mail: info@sawyermfg.com

Web Site: www.sawyermfg.com

***Sawyer products are sold exclusively through distributors in the U.S. and abroad.
Please contact us for the name of your nearest distributor.***

MODEL 273-15, 15-TON STRAP BENDER

Parts List Model 273-15



Parts List

No.	Amount	Dwg./Part No.	Description/Name
1.	2	C4FF-1	Tension Shaft
2.	2	517-29	Nut
3.	1	526-1	Hydraulic Cylinder
4.	1	C4FF-4	Base
5.	1	526-8	1/2 Hydraulic Coupling F or M
6.	2	C4FF-6	Spacer
7.	1	C4FF-7	Plunger (determined by code)
8.	1	C4FF-8	Die (determined by code)
9.	1	C4FF-9	Head
10.	2	519-38	Bolt
11.	1	C4FF-11	Stud
12.	1	527-1	Hydraulic Hose Assembly
13.	1	526-4	Hydraulic Pump
14.	1	B13R-A	Metal Case
15.	1	519-34	Bolt

14 - Steel Carrying Case



Other Sawyer Manufacturing Products:

Beveling Machines • External Line-Up Clamps • Internal Line-Up Clamps • Hydraulic Dent Removers
Tractor-Mounted Bending Shoes • Accuwrap Manual Pipe Wrapping Machine • Manual Pipe Expanders • Pipe Hooks and Inserts
Aluminum Hand Clamps • Coupon Cutters



SAWYER MFG COMPANY

1031 N. Columbia Place • Tulsa, Oklahoma 74110 U.S.A.

Phone: (918) 834-2550 • Fax: (918) 834-0318

E-Mail: info@sawyerfmfg.com

Web Site: www.sawyerfmfg.com

**Sawyer products are sold exclusively through distributors in the U.S. and abroad.
Please contact us for the name of your nearest distributor.**