

See Notes on Page 140

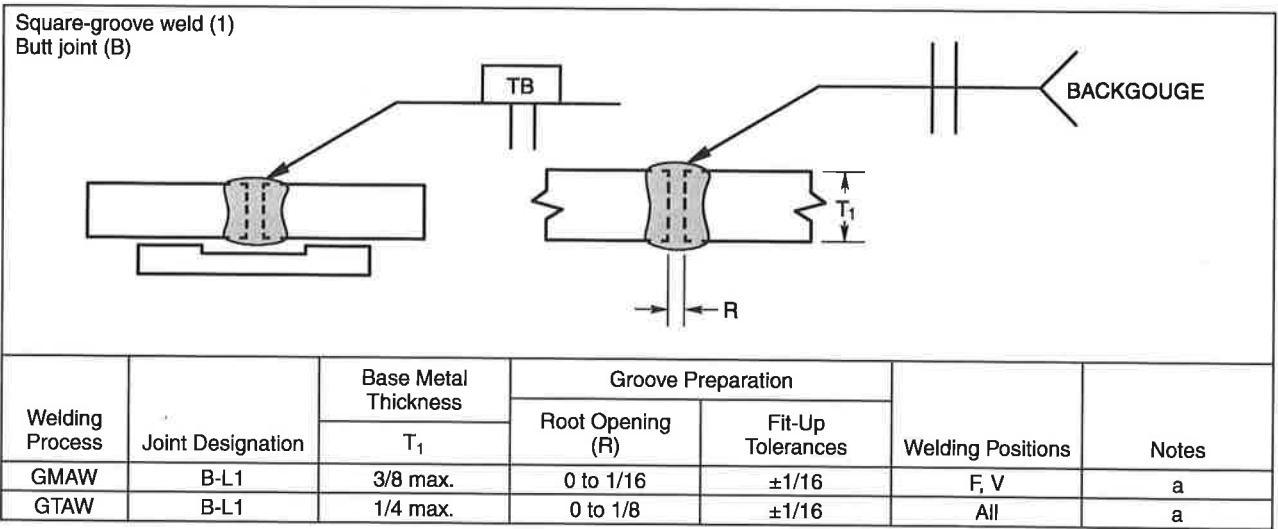
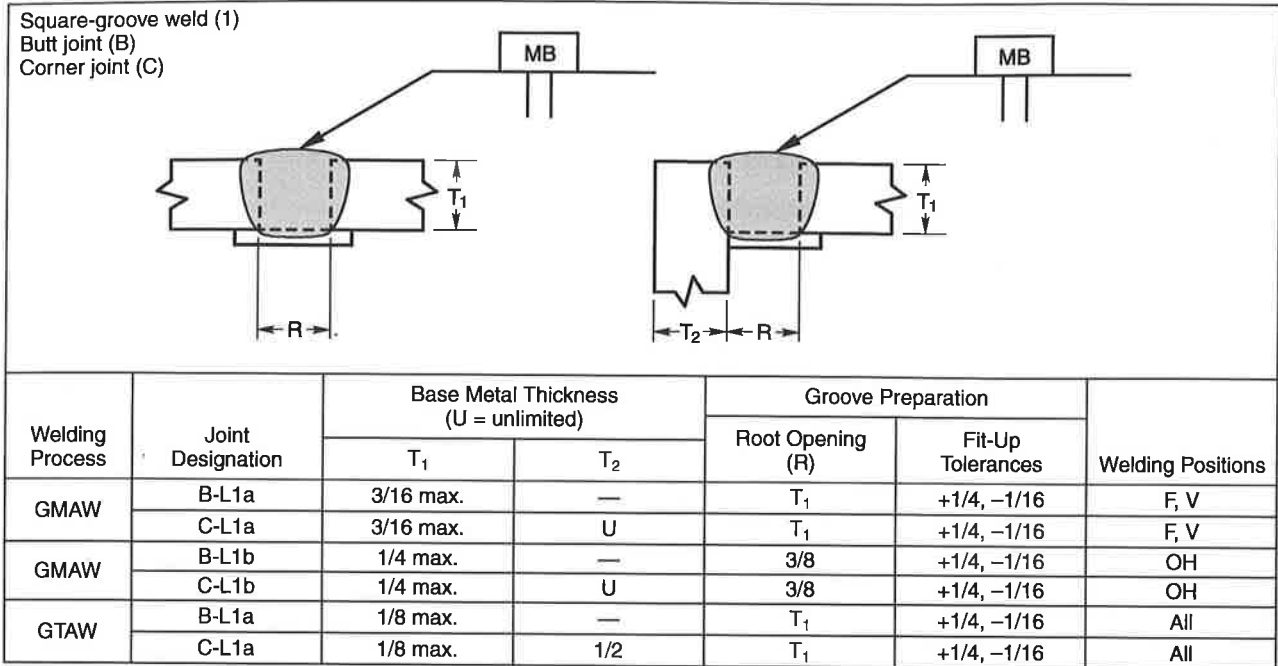


Figure B.1—Recommended CJP Groove Welded Joints (Inches)