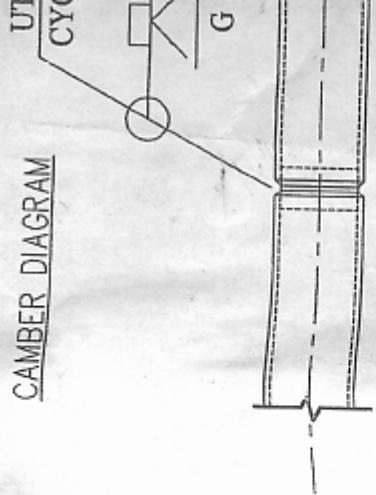
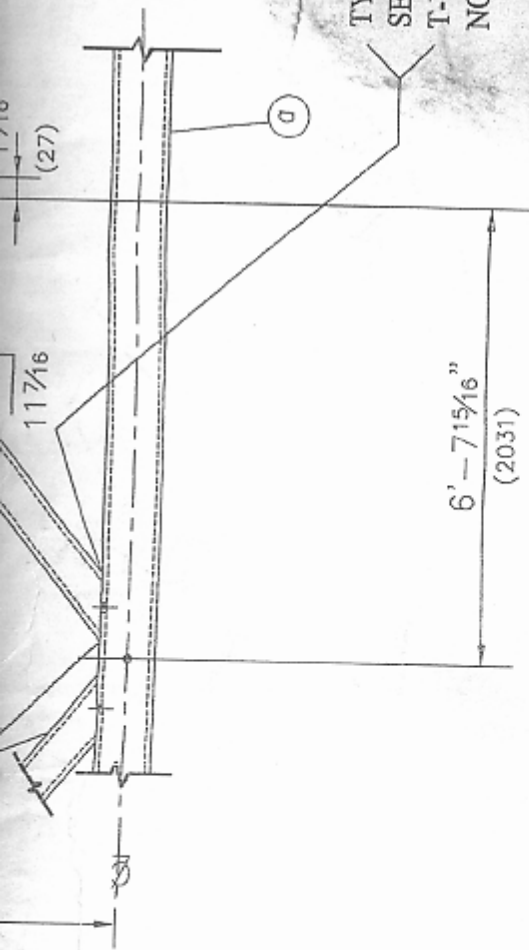


CAMBER DIAGRAM

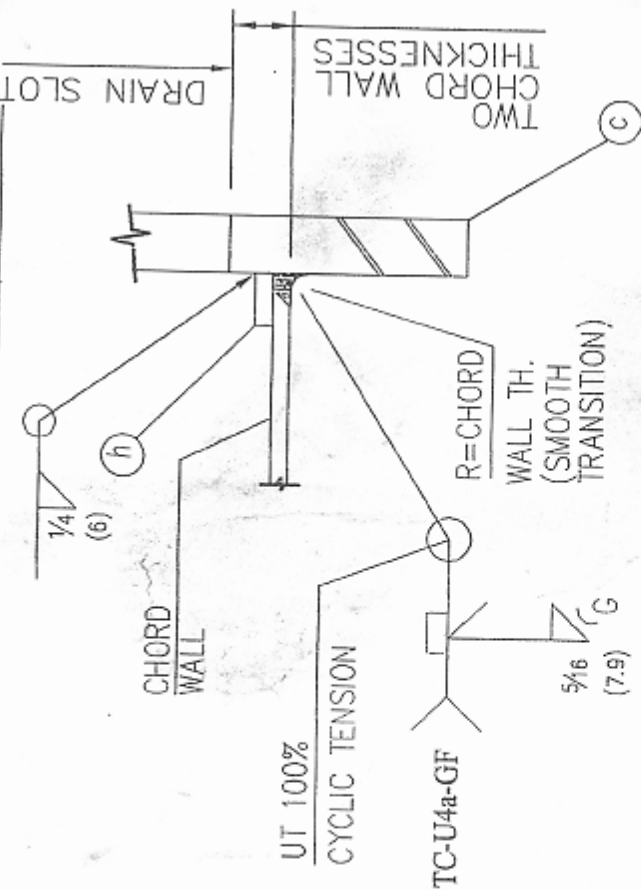


CHORD SHOP SPLICE  
OPTIONAL PER DWG BR9

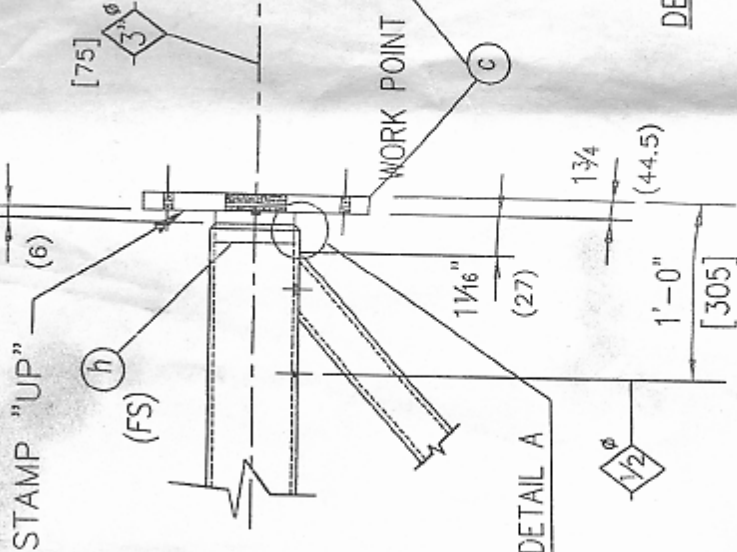
TYP  
SEE FIG. 3.5 OF AWS D1.1  
T-Y-K CONN. ROOT GAP SHALL  
NOT EXCEED 1/16" (1.6mm)



TYP. CHORD/DIAG. JOINT



WELD DETAIL A



DETAIL 2

